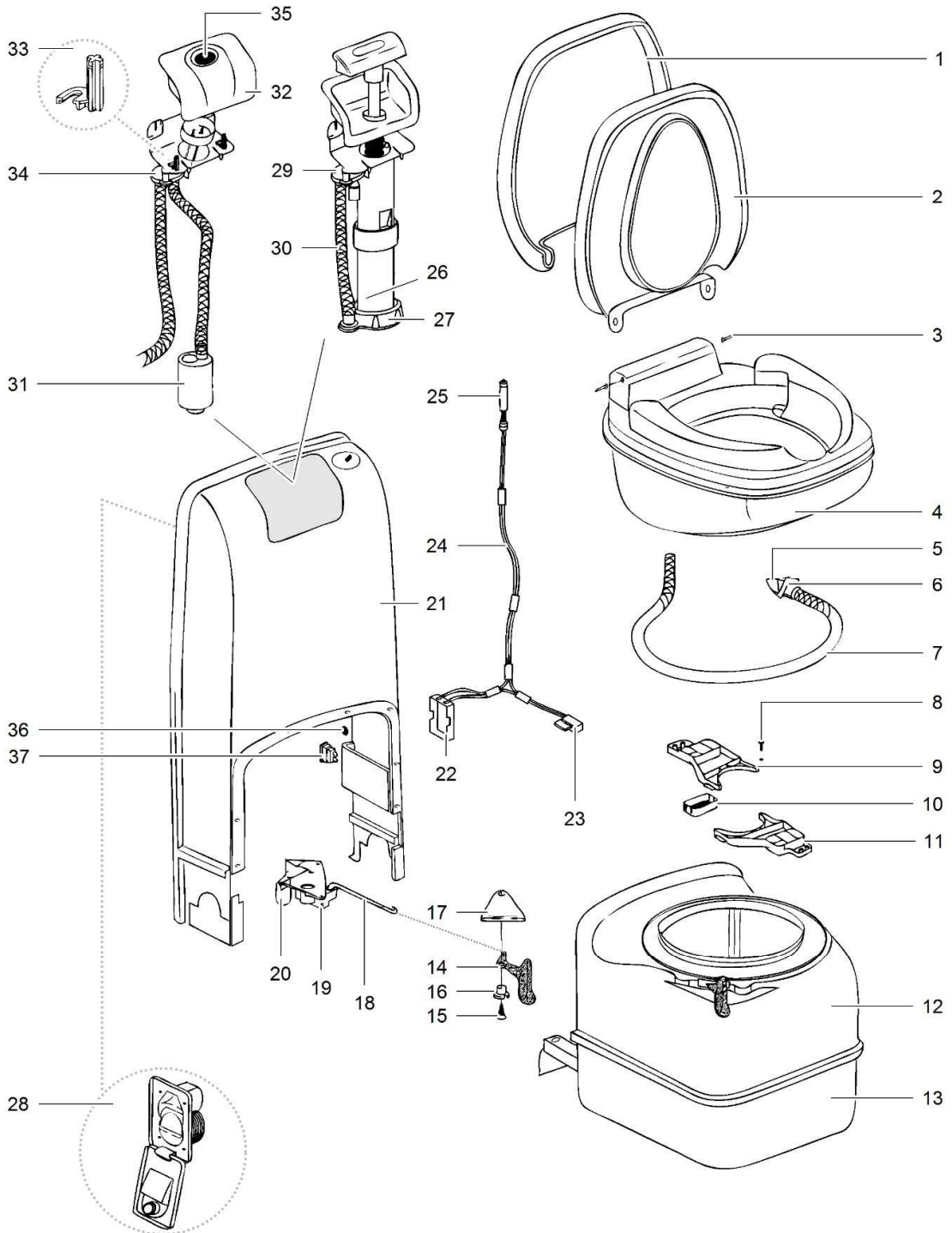


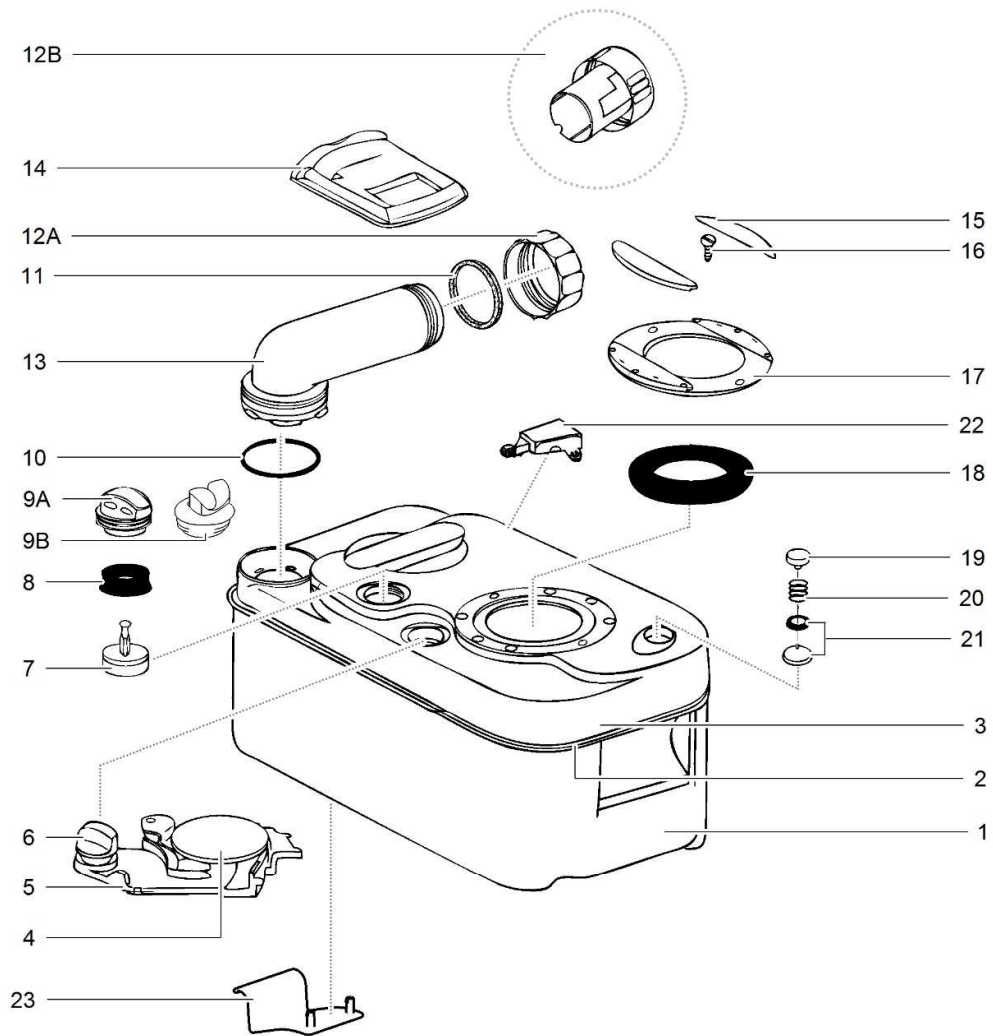
LE1158\_C200-S-CS-Toilet\_0414-V02

		Spare part number	Spare part number	Colours available
1	Cover			
2	Seat		23706	62
3	Hinge pin	23707		62
4	Bowl	23853		62
5	Vacuumbreaker	16833		
6	Electric valve			
7	Hose nut	23851	23709	
8	Hose barb			
9	O-ring			
10	Nozzle		23710	62
11	Watertube			
12	Watertube supply			
13	Waterfuse bracket			
14	Fuse	21766		
15	Reedswitch	23714		62
16	Screw			
17	Bowl retainer bracket			
18	Magnet basket			
19	Bowl retainer bracket			
20	Base upper			
21	Base lower			
22	Handle			
23	Screw		23713	74
24	Bushing			
25	Seal handle			
26	Link	23848		
27	Saddle		23850	
28	Saddle bracket		<i>for outside vent version</i>	
28	Saddle bracket outside vent			
29	Console			
30	Level indicator led	23718		
31	Switch panel			
32	Flush switch	23716	23846	62
33	Bezel			



LE1157\_C200-CW/CWE\_0115-V04

	Spare part number	Spare part number	Colours available
1	Cover		
2	Seat	23706	62
3	Hinge pin	23707	
4	Bowl	23853	62
5	O-ring		
6	Nozzle	23710	62
7	Watersupply tube		
8	Screw		
9	Bowl retainer bracket		
10	Magnet basket		
11	Bowl retainer bracket		
12	Base upper		
13	Base lower		
14	Handle		
15	Screw	23713	74
16	Bushing		
17	Seal handle		
18	Link		
19	Saddle	23848	
20	Saddle bracket		
	Saddle bracket outside vent	23850	
21	Console		
22	Battery container		
23	Reed switch	23714 <i>CWE model</i>	62
24	Wiring harness		
25	Level indicator led	23738 <i>CW model</i>	
26	Manual pump	23739	62
27	Pump retainer	23845	
28	Waterfill door	<i>refer to 'exterior P28'</i>	
29	Vacuum breaker	16833	
30	Water tube		
31	Pump	16374	
32	Bezel		
33	Adaptor bezel	23771	62
34	Vacuum breaker	16833	
35	Switch	23792	
36	Drain plug	23852	74
37	Fuse	21766	



LE1159\_C200-Waste-holding Tank\_1114-V03

		Spare part number	Spare part number	Spare part number	Colours available
1	Waste-holding tank lower				
2	Weld waste-holding tank				
3	Waste-holding tank upper				
4	Blade	23847			
5	Blade arm				
6	Blade opener	23743			78
7	Foam		23722	23788 <i>for outside vent version</i>	74
8	Seal automatic vent	21528			
9A	Upper automatic vent				
9B	Upper automatic vent outside vent				74
10	O-ring	16195		16196	74, 78
11	Cap seal				
12	Dump cap		16384		
12A	Measuring cup		25810		
13	Pour out spout				
14	Sliding cover	21333			74
15	Screw cover				
16	Screw				
17	Seal cover				
18	Lip seal	23721			
19	Vent button		07524		78
20	Spring				
21	Seal retainer				
22	Floatarm	23726			
23	Tank lock clip	23849			78
	Waste-holding tank complete <i>including sliding cover</i>		23719	23787 <i>for outside vent version</i>	74